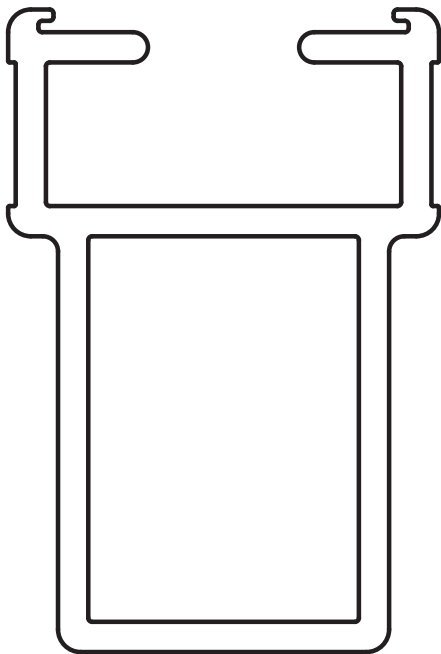


P-2441
0,491 kg/m



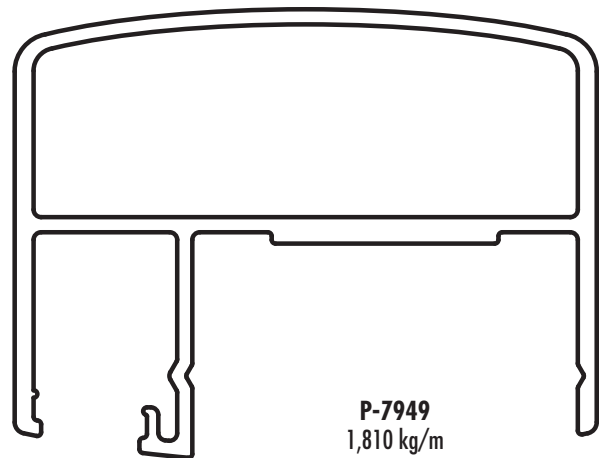
P-7947
1,172 kg/m



P-7946
3,046 kg/m



P-7948
0,346 kg/m



P-7949
1,810 kg/m



PLANCHUELA 50x6 (MP-166)
0.810 kg/m

